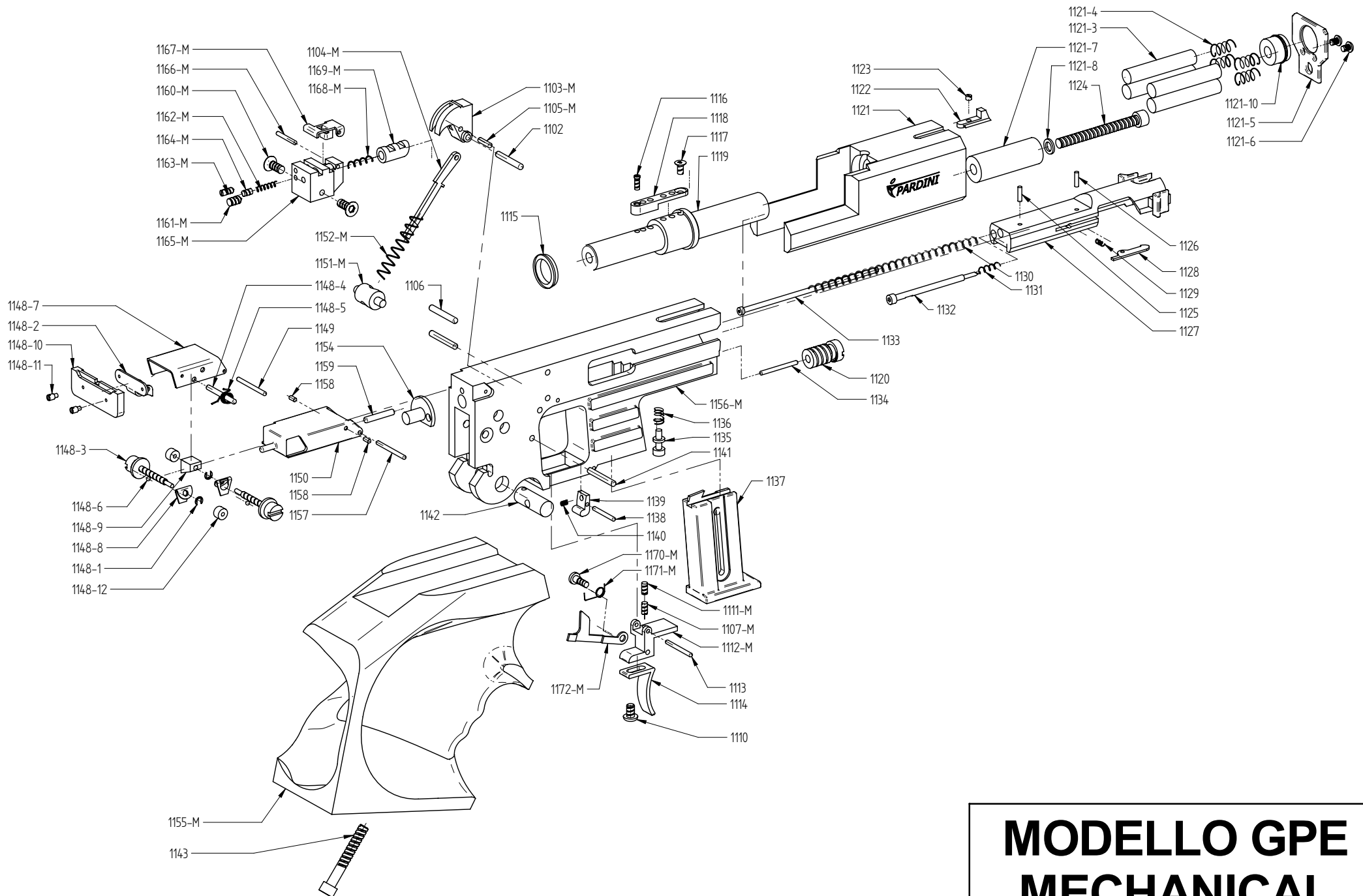


**MODELLO GPE
ELECTRONIC**



**MODELLO GPE
MECHANICAL**