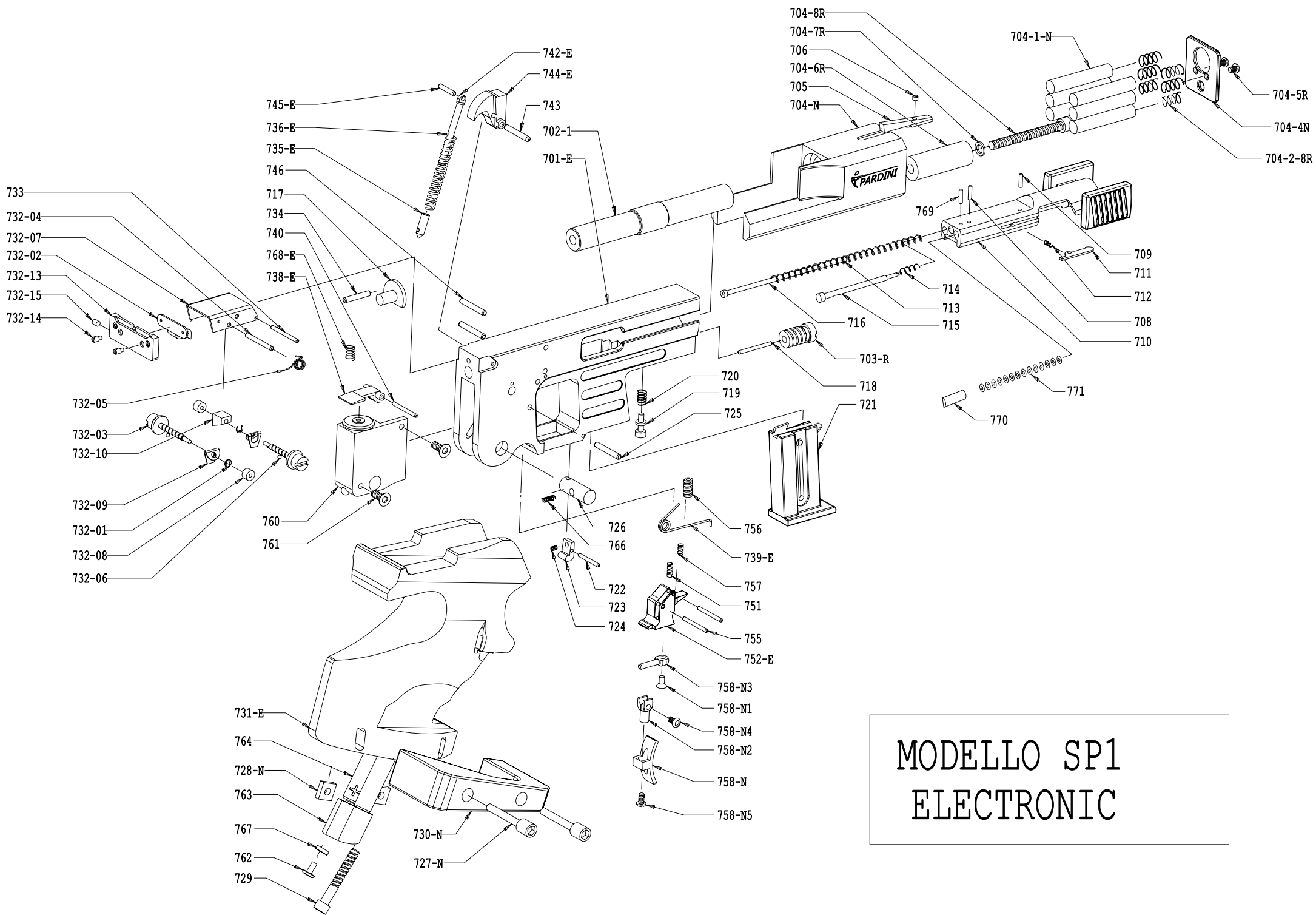
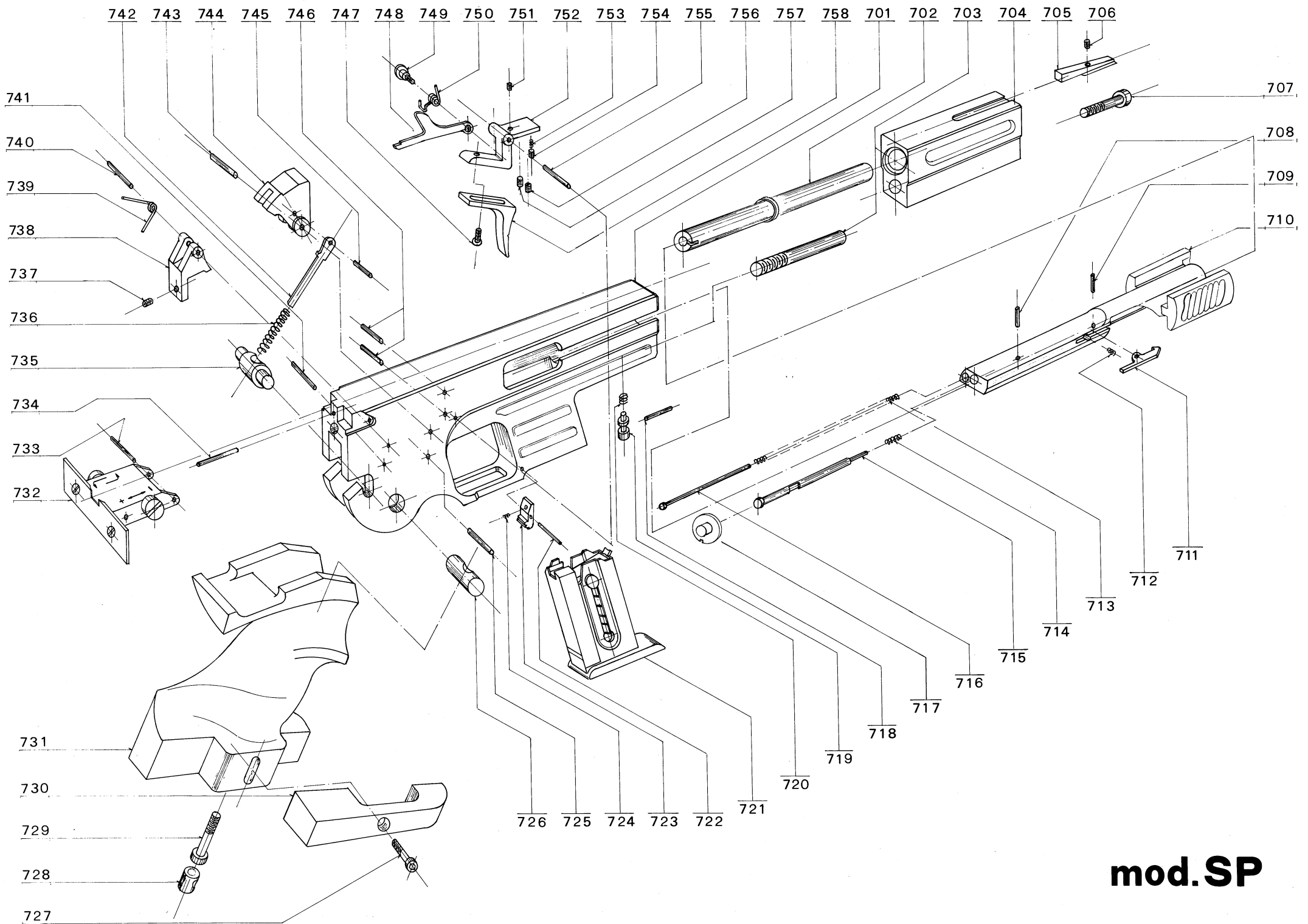


MODELLO SP
MECHANICAL



MODELLO SP1
ELECTRONIC



mod.SP